



560~580W

M10 solar modules Aquaman series

Mono SMBB TOPCon large size half cut
double glass module

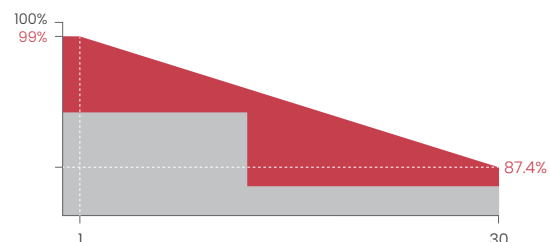
Products can match different installation conditions, taking into account high adaptability and high compatibility. With mature support and inverter scheme, customized design for distributed and centralized ground power stations.

MODULE CHARACTER

-  Exceptional PID Resistance
-  Salt mist resistance/Ammonia resistance /dust and hail resistance
-  Production process reliability test
-  0~+5W Positive Tolerance
-  **LID** Lower LID / LETID
-  Reduce BOS cost increase ROI
-  Non-destructive cutting
-  Double-sided electricity generation

CERTIFICATION

IEC61215/IEC61730
ISO9001:Quality Management System
ISO14001:Environmental Management System
ISO45001:Occupational Health and Safety Management System



Linear performance warranty



Product warranty

SUNRISE ENERGY CO., LTD

TEL:+86-519-81688389 E-mail:info@sunriseenergy.cn

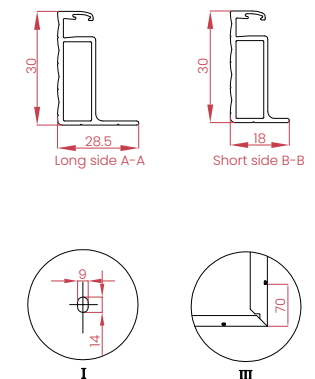
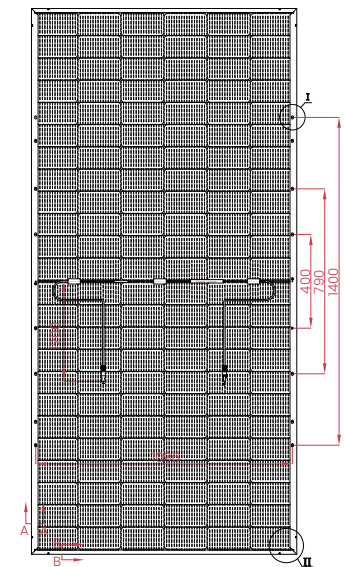
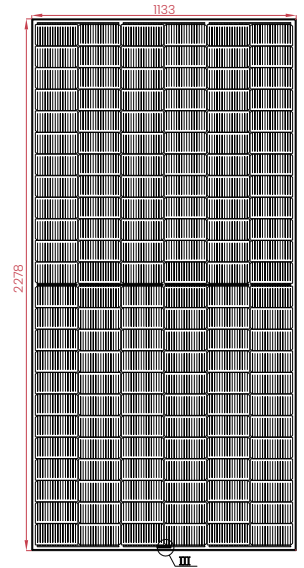
ADD:No.20 Tongzi River West Road, Zhonglou Development Zone, Changzhou, Jiangsu



SR-72MNHLPro 560w-580w Aquaman series



ENGINEERING DRAWINGS



Module Type	SR-72M 560NHLPro		SR-72M 565NHLPro		SR-72M 570NHLPro		SR-72M 575NHLPro		SR-72M 580NHLPro	
	STC	NOCT	STC	NOCT	STC	NOCT	STC	NOCT	STC	NOCT
Module Efficiency (%)	21.7		21.9		22.09		22.28		22.48	
Tolerance (W)	0~+5		0~+5		0~+5		0~+5		0~+5	
Test Environment	STC	NOCT	STC	NOCT	STC	NOCT	STC	NOCT	STC	NOCT
Maximum Power Pmax(W)	560	422.46	565	426.23	570	430	575	433.77	580	437.55
Open Circuit Voltage Voc(V)	50.48	48.22	50.68	48.40	50.87	48.59	51.06	48.77	51.26	48.96
Short Circuit Current Isc(A)	14.18	11.45	14.26	11.51	14.33	11.57	14.40	11.62	14.47	11.68
Maximum Power Voltage Vm(V)	41.71	39.14	41.87	39.29	42.03	39.44	42.19	39.59	42.35	39.74
Maximum Power Current Im(A)	13.43	10.83	13.50	10.89	13.57	10.94	13.63	10.99	13.70	11.05
Cell Type (mm)	M10 TOPCon									
Number of Cells(Pcs)	144(6×24)									
Maximum System Voltage (V)	DC1500									
Temp.Coeff.of Voc (%/°C)	-0.249									
Temp.Coeff.of Isc (%/°C)	0.045									
Temp.Coeff.of Pm (%/°C)	-0.3									
Operating Temperature (°C)	-40 to 85									
Nominal Operating Cell Temperature(NOCT) (°C)	45±2									
Max.Series Fuse (A)	30									
Pressure Bearing (Pa)	5400									
Wind Bearing (Pa)	2400									

STC: Irradiance 1000W/m², Cell temperature 25°C, AM1.5
 NOCT: Irradiance 800W/m², Ambient temperature 20°C, Wind speed 1m/s

Different backside power gains(580W)	10%	15%	20%	25%
Peak Power Pmax(W)	638	667	696	725
Open Circuit Voltage Voc(V)	51.31	51.32	51.34	51.35
Short Circuit Current Isc(A)	15.86	16.58	17.29	18.01
Maximum Power Voltage Vm(V)	42.36	42.37	42.38	42.39
Maximum Power Current Im(A)	15.07	15.75	16.43	17.11

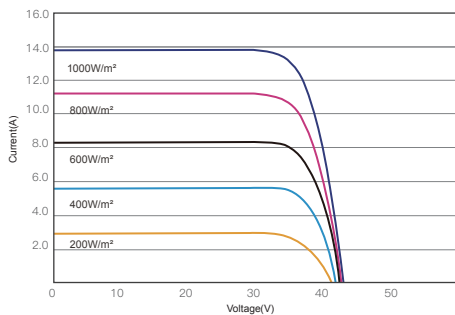
MATERIAL DETAILS

Frame	Anodized aluminum	Cable&Connector	4mm ² , EVO2 or EVO2 compatible
Cell	6×24pcs mono solar cell	Junction Box	Ip≥68, TÜV&UL
Glass	2×2.0mm Anti-Reflection Coating Heat Strengthened Glass	Net length of Cable	1200mm or as customer's requirements

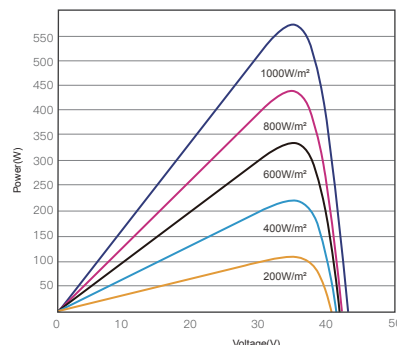
PACKING DETAILS

Dimension	2278×1133×30mm	Weight	31.1kg
Loading Capacity	720pcs/40'HC	Packing	36pcs/pallet

IV CURVES



I-V CURVES OF PV MODULE(570W)



P-V CURVES OF PV MODULE(570W)